

RevNo	Revision note	Date	Signature	Checked
V1.0	Sketch only	10/03/2026		

Interface Per: MIL-STD-348, IEC 60169-15
Cable Type: RG402

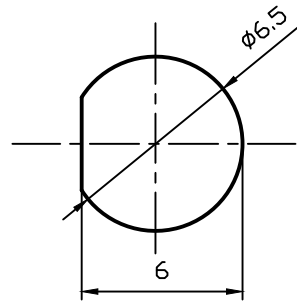
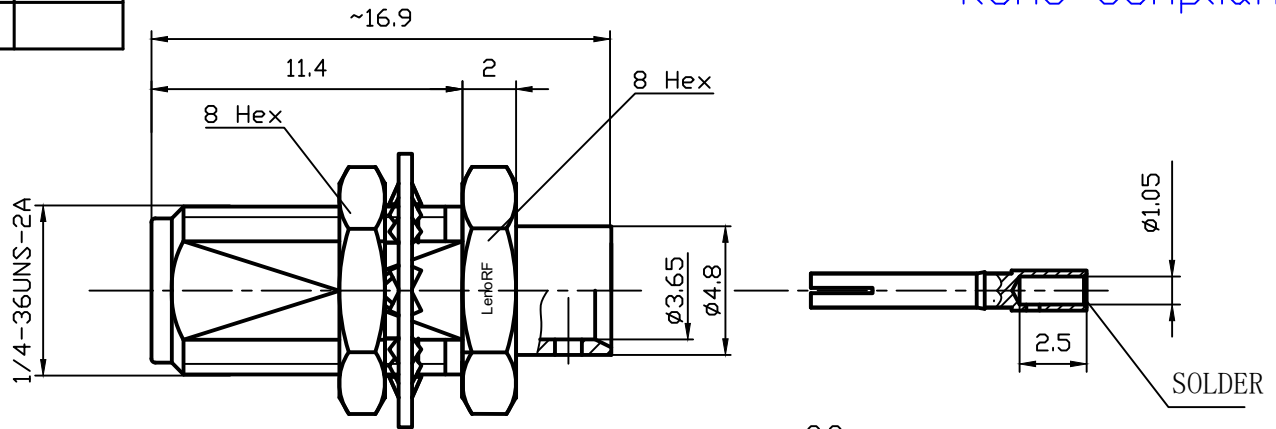
Material & Finishing:

1. Center conductor: Brass, Gold Plating
2. Insulators: PTFE
3. Body : Brass, Gold Plating
4. Other Metal Parts: Brass, Gold Plating
5. Gasket: Silicone Rubber, Red

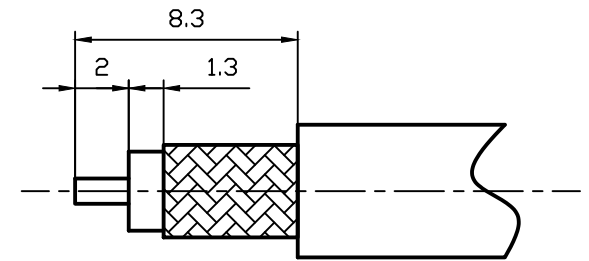
Electrical Data:

1. Impedance: 50 Ohms
2. Frequency: 0~3GHz
3. VSWR: ≤1.1 @ 900MHz,
 ≤1.15 @ 1800MHz,
 ≤1.2 @ 3000MHz,
 ≤1.3 @ 6000MHz,
4. Insertion loss: ≤0.05dB @ 900MHz,
 ≤0.05dB @ 1800MHz,
 ≤0.05dB @ 3000MHz,
 ≤0.1dB @ 6000MHz,
5. Dielectric Withstanding voltage: 1000V Min
6. Voltage Rating : 500V Max

Package : 1 PC per bag
Laser Mark: LenoRF



RECOMMENDED MOUNTING HOLE



Suggested stripping

Label Content:

LenoRF
 Part No: 3.01.436
 Part Name: SMA JACK BULKHEAD FOR RG402 CABLE
 QTY: 1 PC
 Date: WW/YY (Week/year)

Unless otherwise specified, tolerances as below: .x ±0.15 .xx ±0.1 .xxx ±0.05 Angle: ±2°	Material:	See Notes	Weight	g			
	Finish:	See Notes	Scale	8:1			
	Unit	mm	Page	01			
	REV.	V1.0	p/n	01			
Drawn	DATA:	Projection			DWG NO.	3.01.436	
Checked	DATA:	Title:	SMA JACK BULKHEAD FOR RG402 CABLE			Cust P/N.	TBD
Approved	DATA:						

4

3

2

1