

| RevNo | Revision note | Date | Signature | Checked |
|-------|---------------|------------|-----------|---------|
| V1.0 | Sketch only | 10/03/2026 | | |

Interface Per: MIL-STD-348, IEC 60169-15
Cable Type: RG402

Material & Finishing:

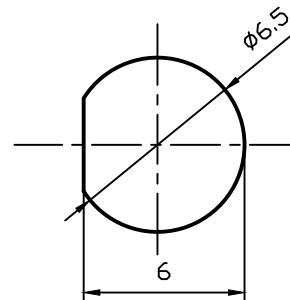
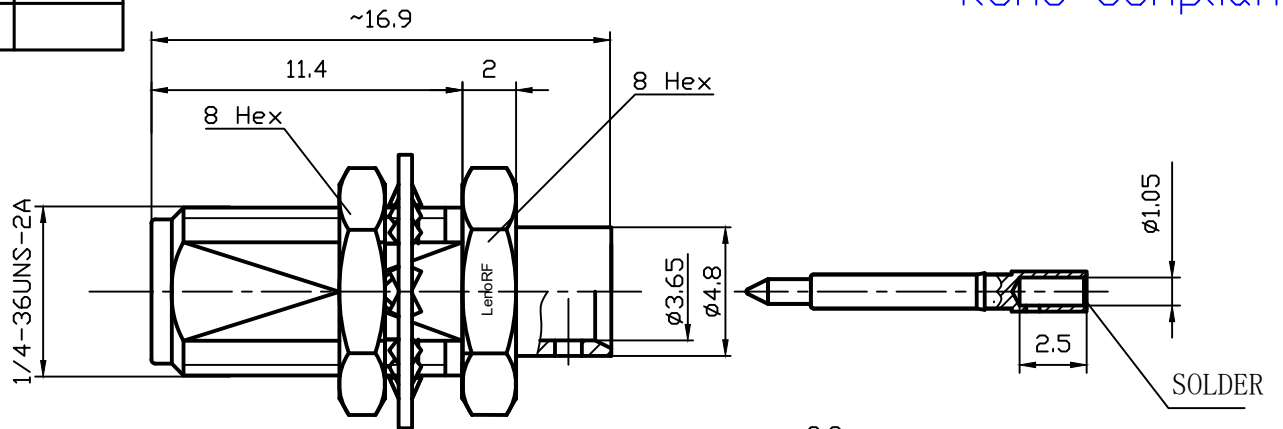
1. Center conductor: Brass, Gold Plating
2. Insulators: PTFE
3. Body : Brass, Gold Plating
4. Other Metal Parts: Brass, Gold Plating
5. Gasket: Silicone Rubber, Red

Electrical Data:

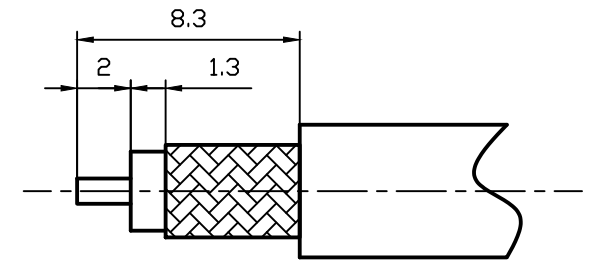
1. Impedance: 50 Ohms
2. Frequency: 0~3GHz
3. VSWR: ≤1.1 @ 900MHz,
 ≤1.15 @ 1800MHz,
 ≤1.2 @ 3000MHz,
 ≤1.3 @ 6000MHz,
4. Insertion loss: ≤0.05dB @ 900MHz,
 ≤0.05dB @ 1800MHz,
 ≤0.05dB @ 3000MHz,
 ≤0.1dB @ 6000MHz,
5. Dielectric Withstanding voltage: 1000V Min
6. Voltage Rating : 500V Max

Package : 1 PC per bag

Laser Mark: LenoRF



RECOMMENDED MOUNTING HOLE



Suggested stripping

Label Content:

LenoRF
 Part No: 3.01.437
 Part Name: RP-SMA JACK BULKHEAD FOR RG402 CABLE
 QTY: 1 PC
 Date: WW/YY (Week/year)

| | | | | | | |
|------------------------------------------------------------------------------------------------------|-----------|------------|--------------------------------------|-----|---------|----------|
| Unless otherwise specified, tolerances as below: .x ±0.15 .xx ±0.1 .xxx ±0.05 Angle: ±2° | Material: | See Notes | Weight | g | | |
| | Finish: | See Notes | Scale | 8:1 | | |
| | Unit | mm | Page | 01 | | |
| | REV. | V1.0 | p/n | 01 | | |
| Drawn | DATA: | Projection | | | DWG NO. | 3.01.437 |
| Checked | DATA: | Title: | RP-SMA JACK BULKHEAD FOR RG402 CABLE | | | |
| Approved | DATA: | | | | | |
| | | Cust P/N. | TBD | | | |