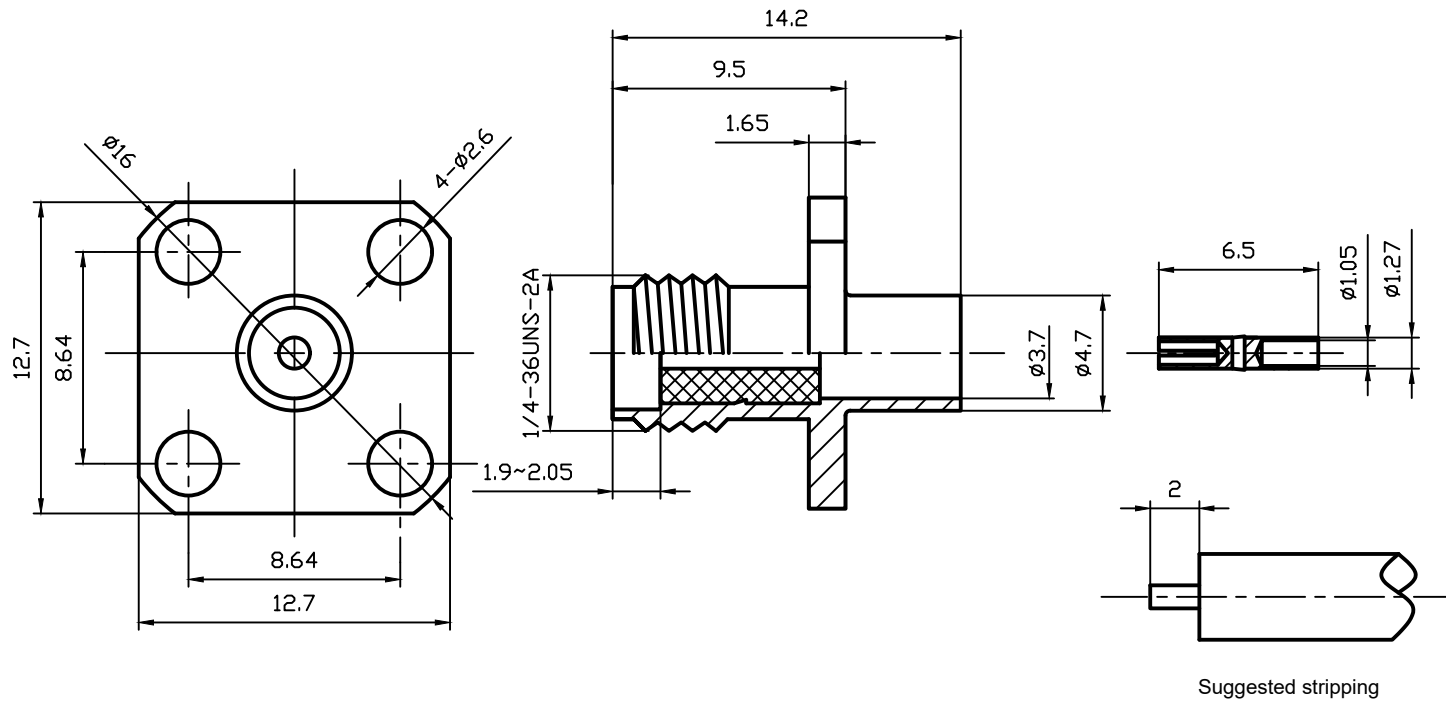


RevNo	Revision note	Date	Signature	Checked
V1.0	Sketch only	30/04/2026		

RoHS Compliant.



Interface Per: MIL-STD-348, IEC 60169-15

Material & Finishing:

1. Center condutor: Phosphor Bronze, Gold Plating 0.03μm
2. Insulators: PTFE
3. Body : Brass, Gold Plating 0.03μm

Electrical Data:

1. Impedance: 50 Ohms
2. Frequency: 0~12GHz
3. VSWR: ≤1.3
4. Dielectric Withstanding voltage:1000V Min
5. Voltage Rating : 500V Max

Unless otherwise specified, tolerances as below: .x ±0.15 .xx ±0.1 .xxx ±0.05 Angle: ±2°	Material:	See Notes	Weight	g		
	Finish:	See Notes	Scale	8:1		
	Unit	mm	Page	01		
	REV.	V1.0	p/n	01	DWG NO.	3.01.456
Drawn		DATA:	Projection		Cust P/N.	TBD
Checked		DATA:	Title: SMA JACK FOR RG402 CABLE (4HF)			
Approved		DATA:				