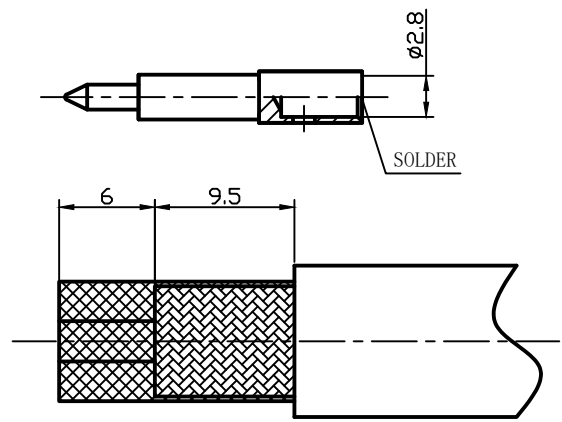
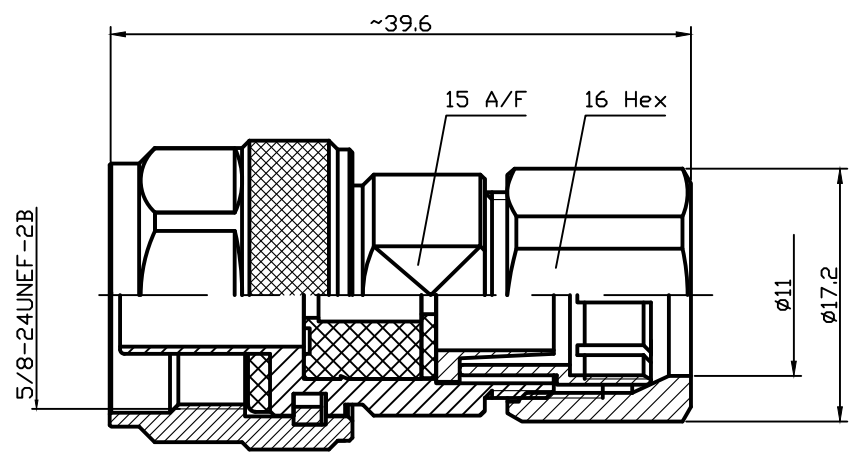


RoHS Compliant.

RevNo	Revision note	Date	Signature	Checked
V1.0	Sketch only	07/04/2026		



Suggested stripping

Interface Per: MIL-STD-348, IEC 60169-16
Cable Type: RG213, RG214

Material & Finishing:

1. Center conductor: Brass, Gold Plating
2. Insulators: PTFE
3. Body : Brass, Nickel Plating

Electrical Data:

1. Impedance: 50 Ohms
2. Frequency: 0~6GHz
3. VSWR: ≤ 1.15 @ 900MHz,
 ≤ 1.2 @ 1800MHz,
 ≤ 1.3 @ 3000MHz,
 ≤ 1.5 @ 6000MHz,
4. Insertion loss: ≤ 0.05 dB @ 900MHz,
 ≤ 0.05 dB @ 1800MHz,
 ≤ 0.05 dB @ 3000MHz,
 ≤ 0.1 dB @ 6000MHz,
5. Dielectric Withstanding voltage: 1000V Min
6. Voltage Rating : 500V Max

Package : 1 PC per bag
Laser Mark: LenoRF

Label Content:

LenoRF
 Part No: 3.04.0343
 Part Name: N PLUG CLAMPING FOR RG213 RG214 CABLE
 QTY: 1 PC
 Date: WW/YY (Week/year)

Unless otherwise specified tolerances as below: .x ± 0.15 .xx ± 0.1 .xxx ± 0.05 Angle: $\pm 2^\circ$	Material:	See Notes	Weight	g	
	Finish:	See Notes	Scale	8 : 1	
	Unit	mm	Page	01	
	REV.	V1.0	p/n	01	
Drawn	DATA:	Projection		Cust P/N.	DWG NO. 3.04.0343
Checked	DATA:	Title:			
Approved	DATA:	N PLUG CLAMPING FOR RG213 RG214 CABLE			

4
3
2
1

4
3
2
1

A B C D E F