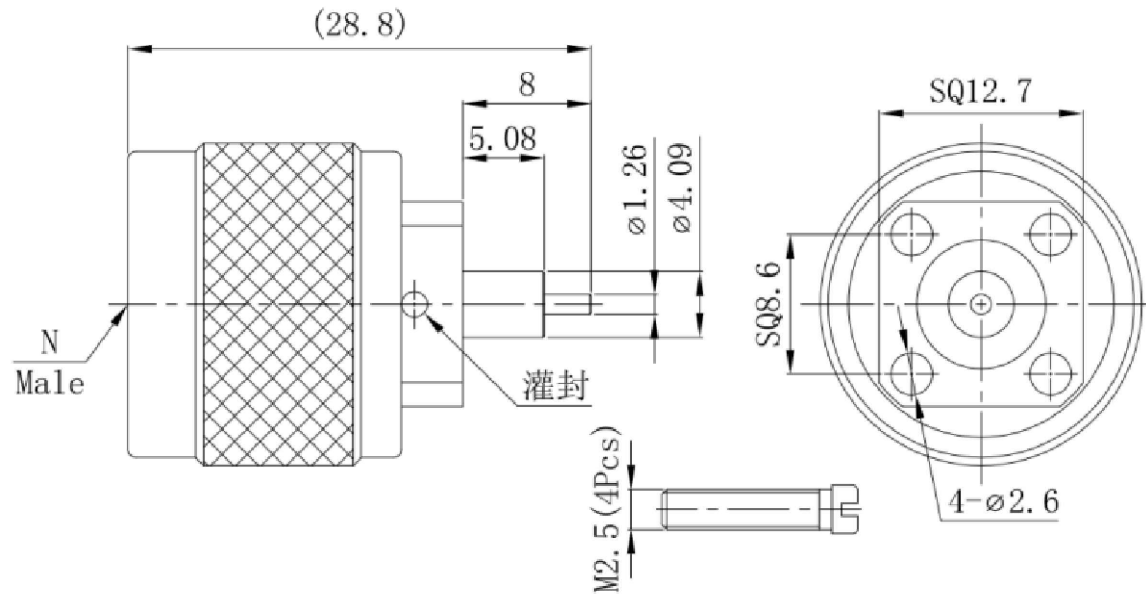


RoHS Compliant.

RevNo	Revision note	Date	Signature	Checked
V1.0	Sketch only	01/04/2026		





Interface Per: MIL-STD-348, IEC 60169-15

Material & Finishing:

1. Center conductor: Brass, Gold Plating
2. Insulators: PTFE
3. Body : Brass, Ternary Alloy Plating

Electrical Data:

1. Impedance: 50 Ohms
2. Frequency: 0~11GHz
3. VSWR: ≤1.3
4. Dielectric Withstanding voltage: 1000V Min
5. Voltage Rating : 500V Max

Unless otherwise specified tolerances as below: .x ±0.15 .xx ±0.1 .xxx ±0.05 Angle: ±2°	Material:	See Notes	Weight	g		
	Finish:	See Notes	Scale	8 : 1		
	Unit	mm	Page	01		
	REV.	V1.0	p/n	01	DWG NO.	3.04.0344
	Drawn	DATA:	Projection		Cust P/N.	TBD
Checked	DATA:	Title:				
Approved	DATA:	N PLUG CONNECTOR				