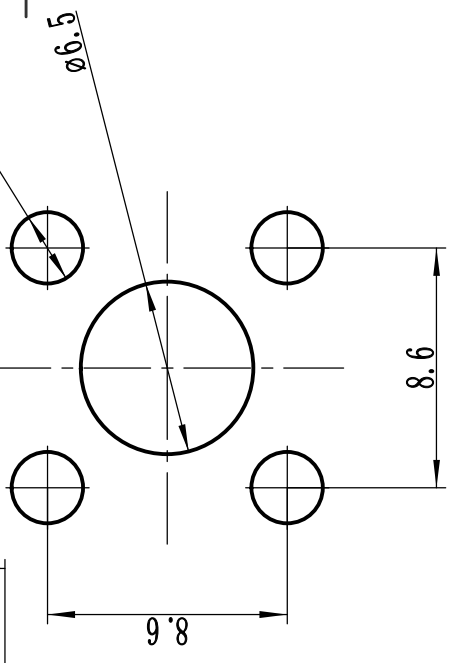
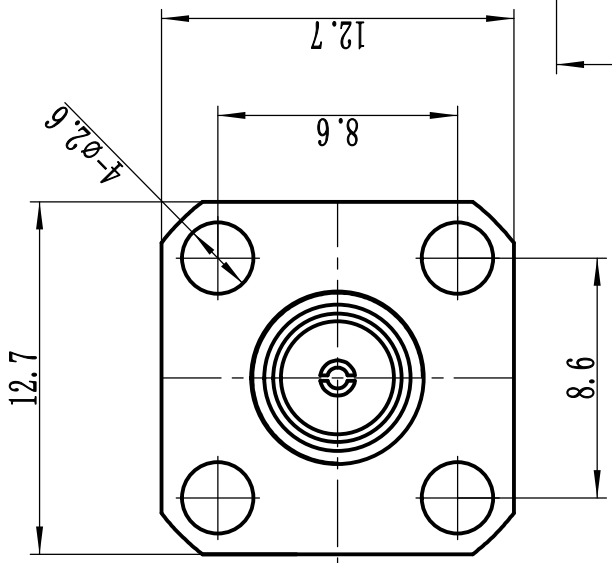
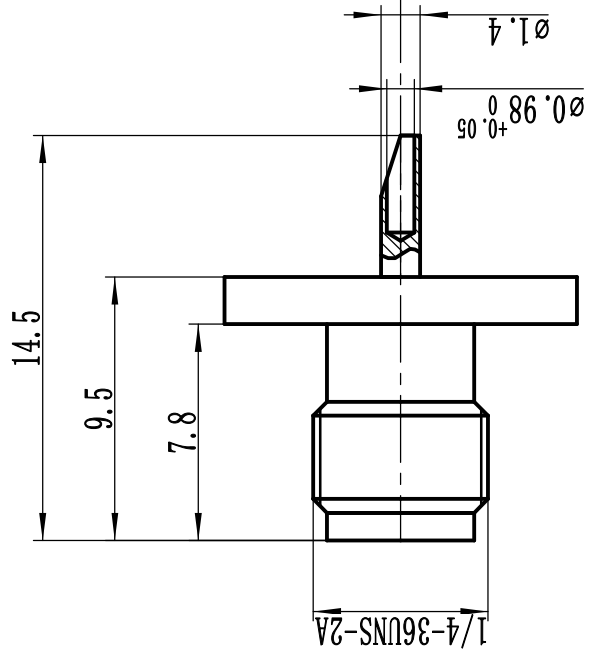


RevNo	Revision note	Date	Signature	Checked
V1.0	Sketch only	01/04/2026		



RoHS Compliant.

**Interface Per:** MIL-C-39012, IEC 60169-15

**Cable Type:** PCB

**Material & Finishing:**

1. Center conductor: Phosphor Bronze, Gold Plating
2. Insulators: PTFE
3. Body : Brass, Gold Plating

**Electrical Data:**

1. Impedance: 50 Ohms
2. Frequency: 0~6GHz
3. VSWR: 1.3 Max
4. Proof Voltage : 1500 Veff
5. Working voltage: 500 Veff

Unless otherwise specified, tolerances as below: .X ±0.15 .XX ±0.1 .XXX ±0.05 Angle: ±2°	<b>Material:</b>	See Notes	Weight	9
	<b>Finish:</b>	See Notes	Scale	3:1
	<b>Unit</b>	mm	Page	01
	<b>REV.</b>	V1.0	p/n	01
<b>Drawn</b>	DATA:	<b>Projection</b>		DWG NO. 3. 12. 1039
<b>Checked</b>	DATA:	<b>Title:</b>		Cust P/N. J01151A0811
<b>Approved</b>	DATA:			



**SMA JACK FLANGE FOR PCB**

RoHS Compliant.